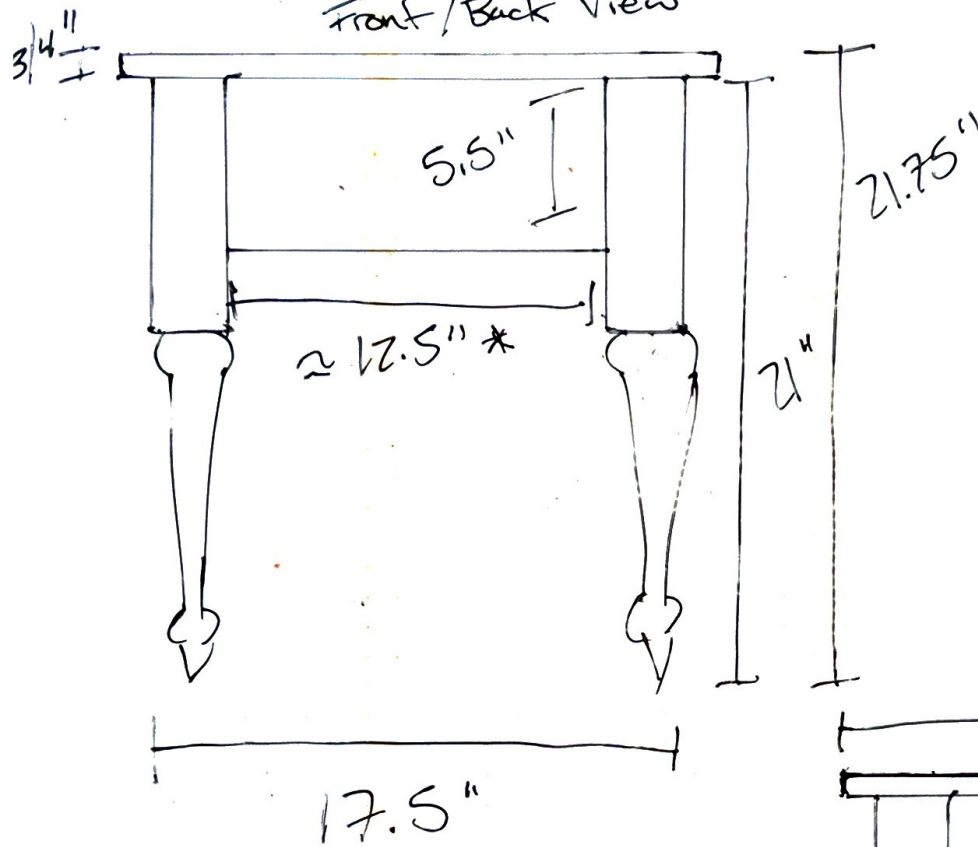


* Add 1.5" inches to each side panel measurement to account for a 3/4" tenon on each side

Front/Back view



Side view

